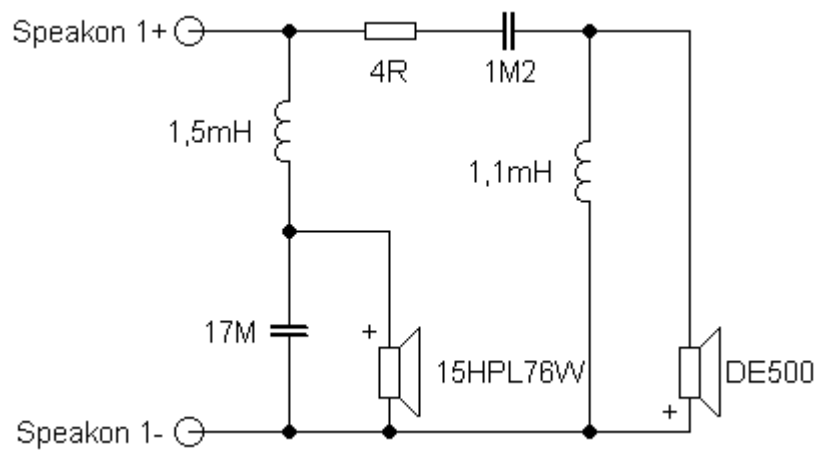


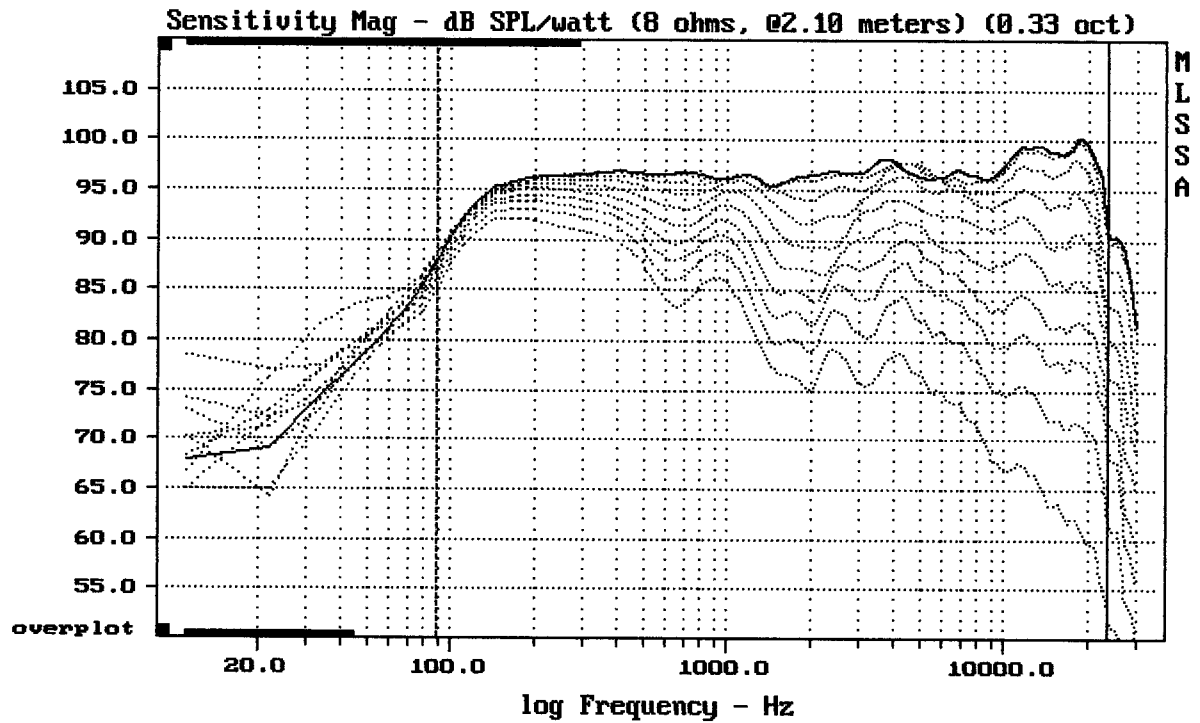
Sestava B&C Speakers 15HPL76W + DE500 + Megaton A7570

Osazení:

- B&C Speakers 15HPL76W 8/Ohm
<http://eshop.prodance.cz/DetailPage.asp?DPG=82848>
- B&C Speakers DE500 8/Ohm
<http://eshop.prodance.cz/DetailPage.asp?DPG=82312>
- Megaton A7570
<http://eshop.prodance.cz/DetailPage.asp?DPG=83912>

Schéma výhybky:

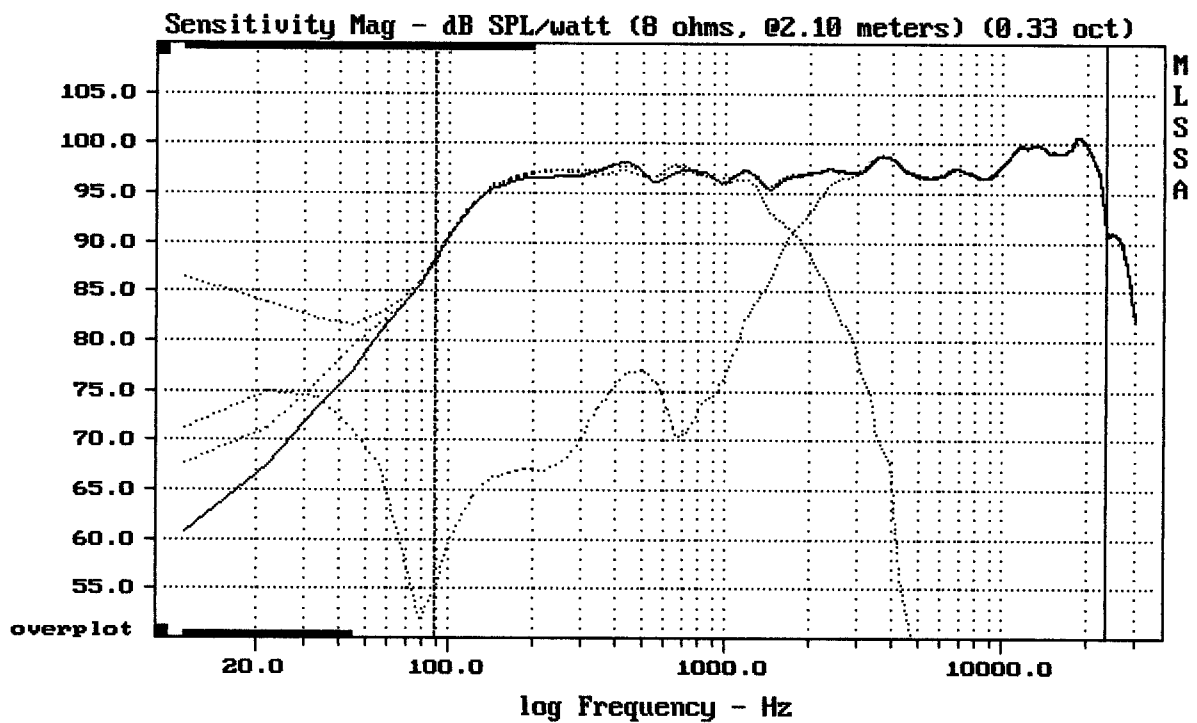




Overlay Compare: dev= +27/-11, std= 8.7, avg= -30

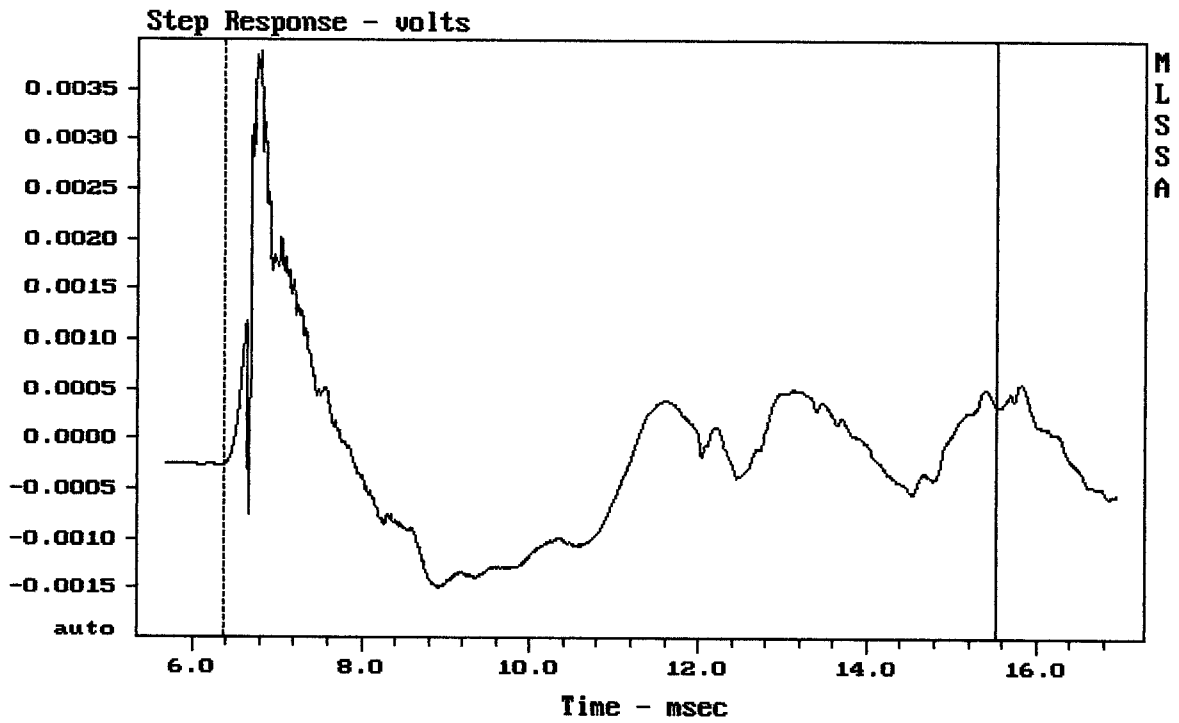
15HPL76W + DE500 + A7570

MLSSA: Frequency Domain



Level (89:23504 Hz) = 97.25 dB SPL/watt (8 ohms, @2.10 meters) (0.33 oct)

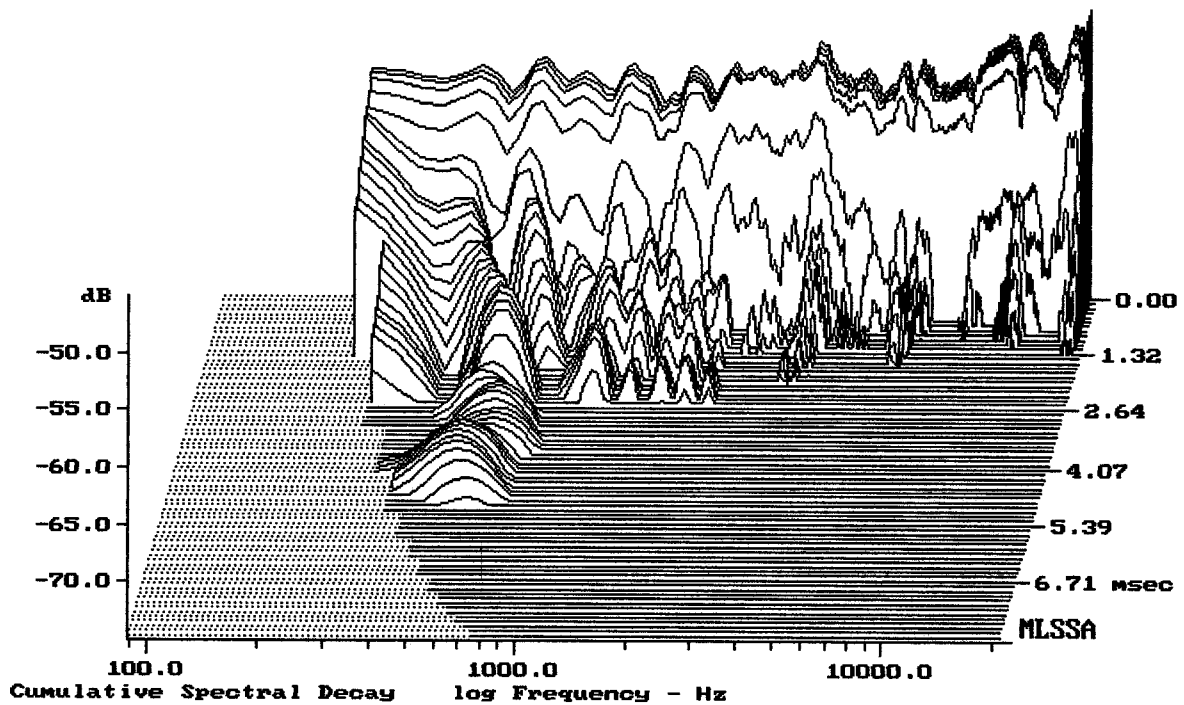
15HPL76W + DE500 + A7570



mean: -0.0001621, rms: 0.0009187, std: 0.0009043, max: 0.003887, min: -0.001488

15HPL76W + DE500 + A7570

MLSSA: Time Domain



-75.00 dB, 3462 Hz (78), 1.760 msec (17)