

Sestava 2x DAS Audio 15P + B&C Speakers DE82TN + Megaton B8575

Osazení:

- 2x DAS Audio 15P 8/Ohm

<http://eshop.prodance.cz/DetailPage.asp?DPG=82867>

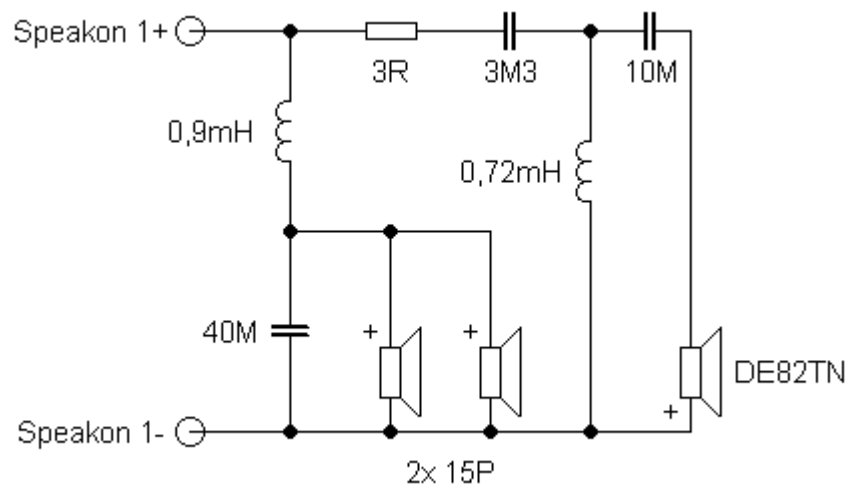
- B&C Speakers DE82TN 8/Ohm

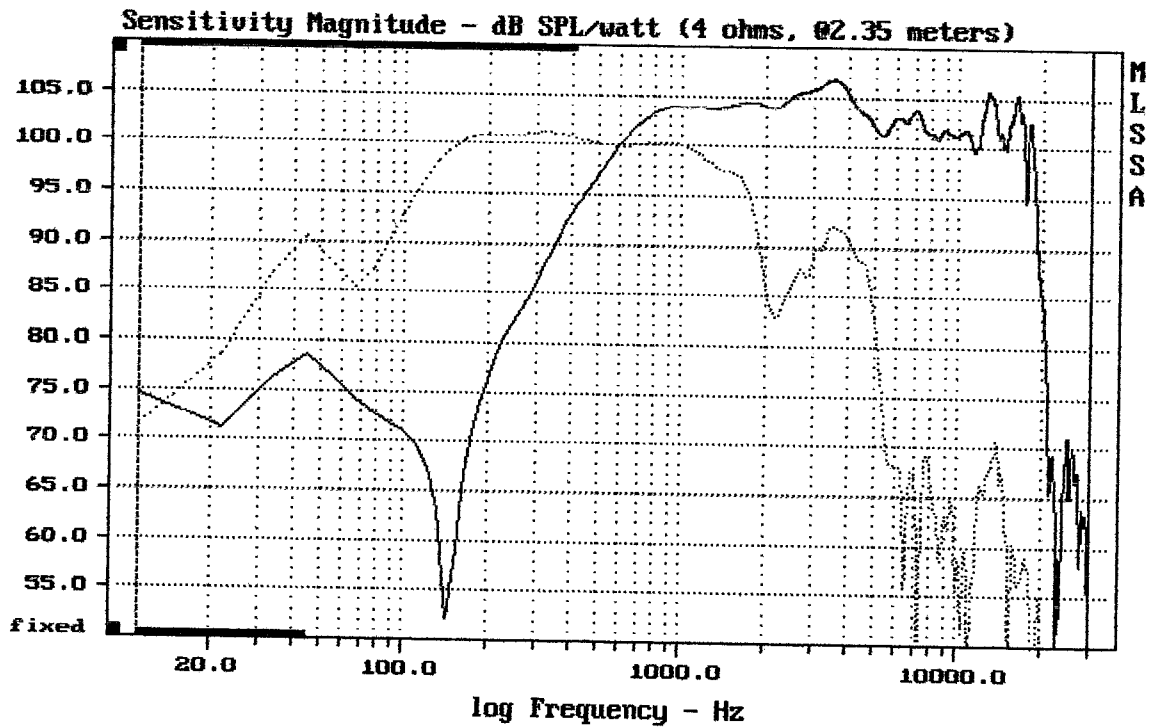
<http://eshop.prodance.cz/DetailPage.asp?DPG=92772>

- Megaton B8575

<http://eshop.prodance.cz/DetailPage.asp?DPG=84261>

Schéma výhybky:

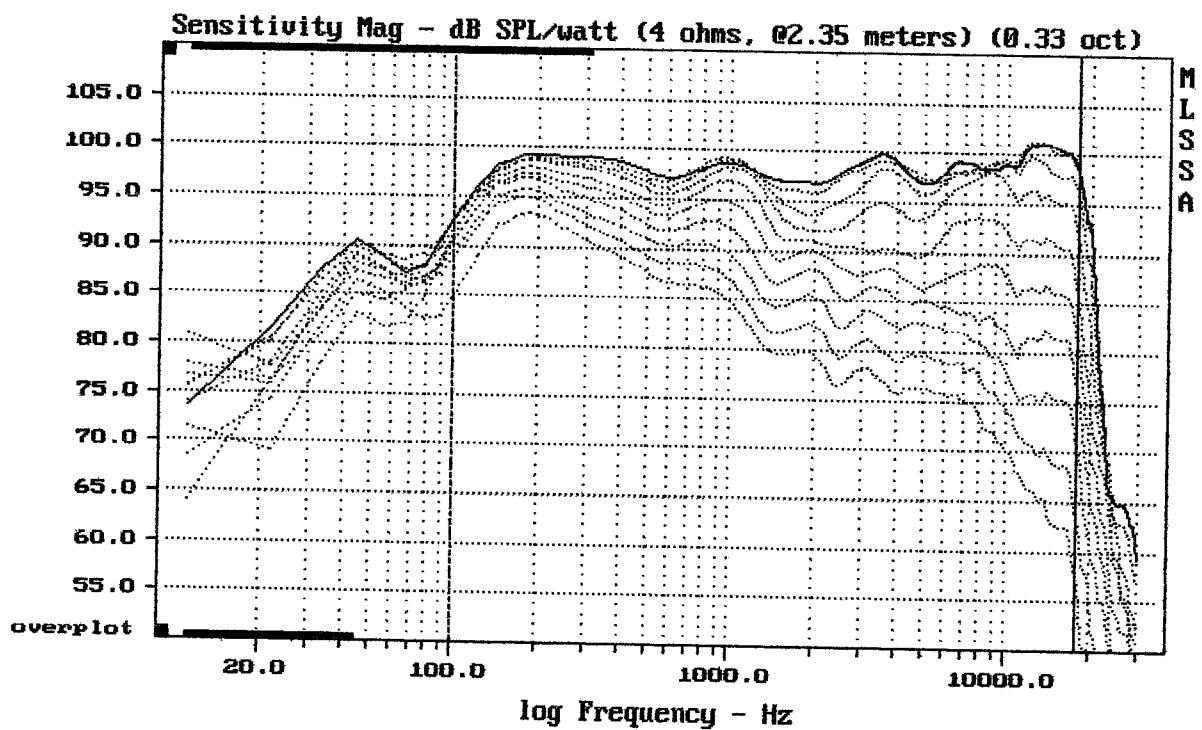




CURSOR: $dy = -2.69256$ $x = 30007.1014$ (2704)

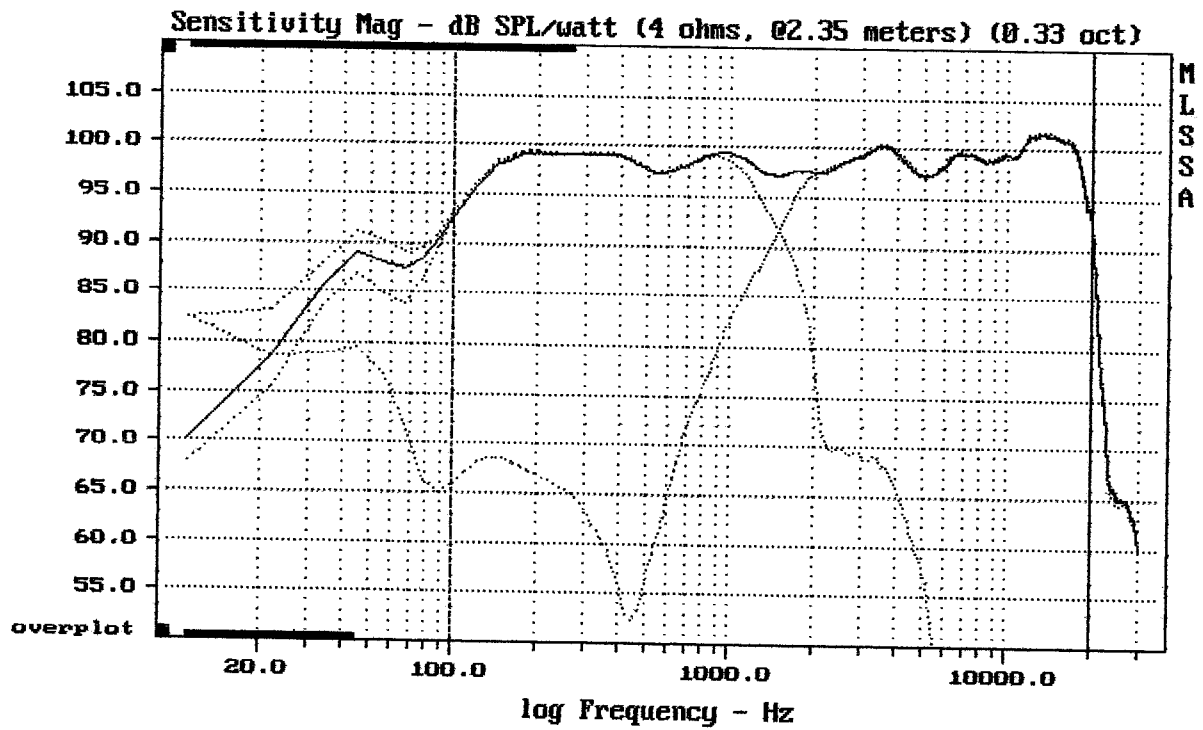
2xDAS 15P + DE82 + B8575

MLSSA: Frequency Domain



Overlay Compare: $dev = +22/-13$, $std = 8.3$, $avg = -28$

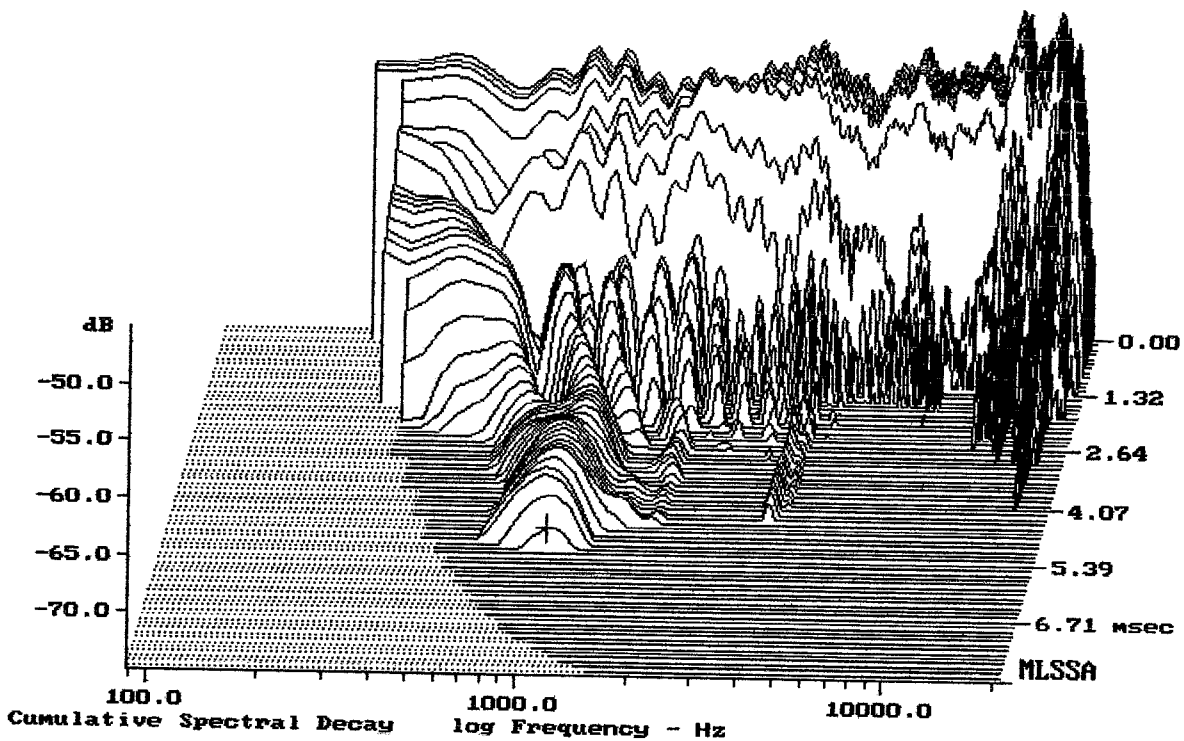
2xDAS 15P + DE82 + B8575



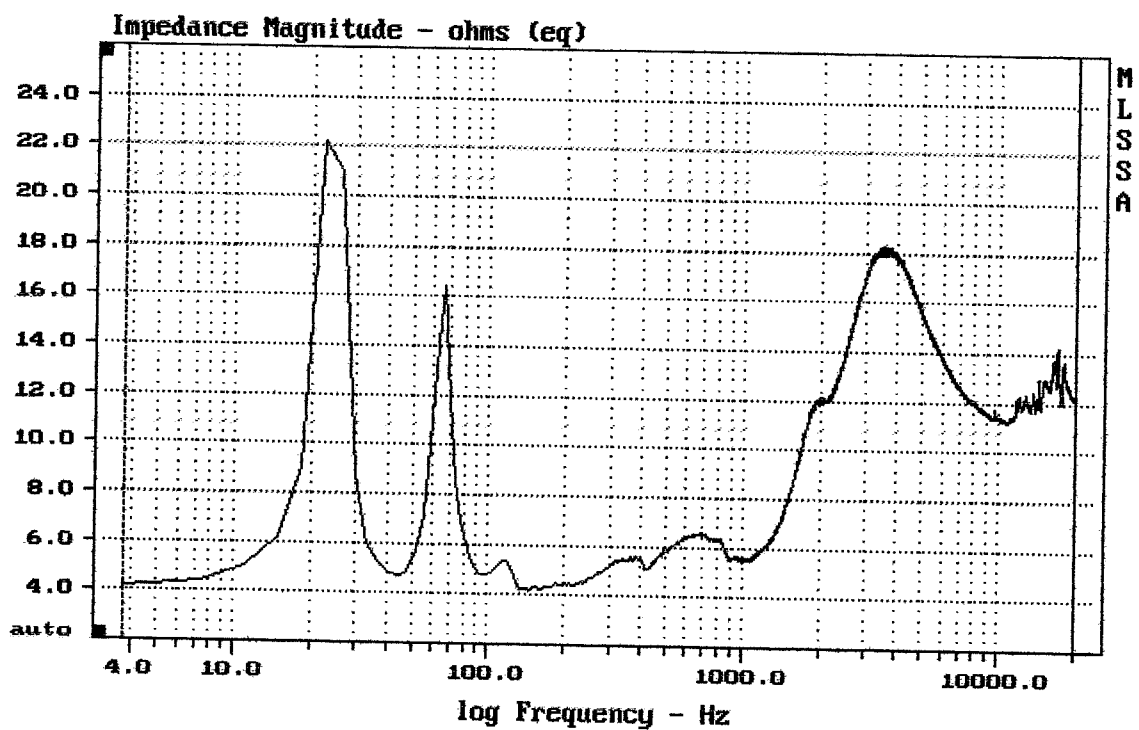
Level (100:20000 Hz) = 98.73 dB SPL/watt (4 ohms, 02.35 meters) (0.33 oct)

2xDAS 15P + DE82 + B8575

MLSSA: Frequency Domain



-73.21 dB, 977 Hz (22), 5.170 msec (48)



mean: 12.46, rms: 12.73, std: 2.586, max: 22.2, min: 4.15
