

Light, compact & robust: new articulated arms family



- Manfrotto broadens its family of articulated arms, providing end users with a versatile and robust range of products with excellent performance. The new articulated arms have been designed to be compact and lightweight yet offer high loads capacity and optimum arm length in order to guarantee extreme ease of use, practicality and positioning flexibility with improved safety and reliability.

SINGLE ARTICULATED ARMS: 2 & 3 SECTIONS

A more versatile version with telescopic features that make this product even more compact than before. Two available versions – at two and three sections- in order to ensure broad range of length, from 605 to 850 mm

Code	Sections	Top attachment	Bottom attachment	Max length	Max load at full extensions	Weight
196AB-2	2	16mm spigot 3/8" light attachment	16mm spigot (compatible with Superclamp) with 1/4" thread	605 mm	1.5 kg	0.4 kg
196AB-3	3	16mm spigot 3/8" light attachment	16mm spigot (compatible with Superclamp) with 1/4" thread	850 mm	1 kg	0.5 kg
196B-2	2	camera bracket with 16mm spigot and camera attachment	16mm spigot (compatible with Superclamp) with 1/4" thread	605 mm	1.5 kg	0.53 kg
196B-3	3	camera bracket with 16mm spigot and camera attachment	16mm spigot (compatible with Superclamp) with 1/4" thread	850 mm	1 kg	0.63 kg

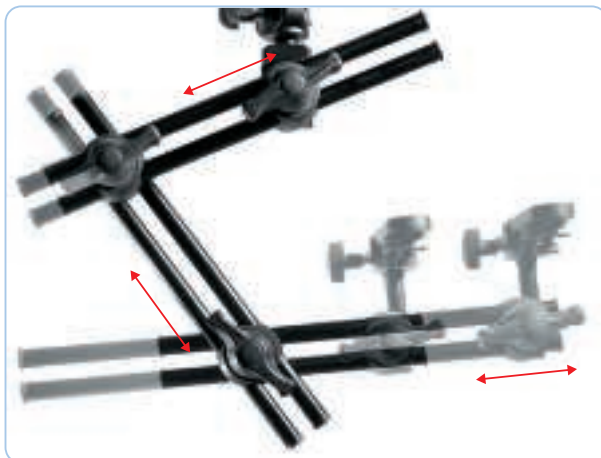
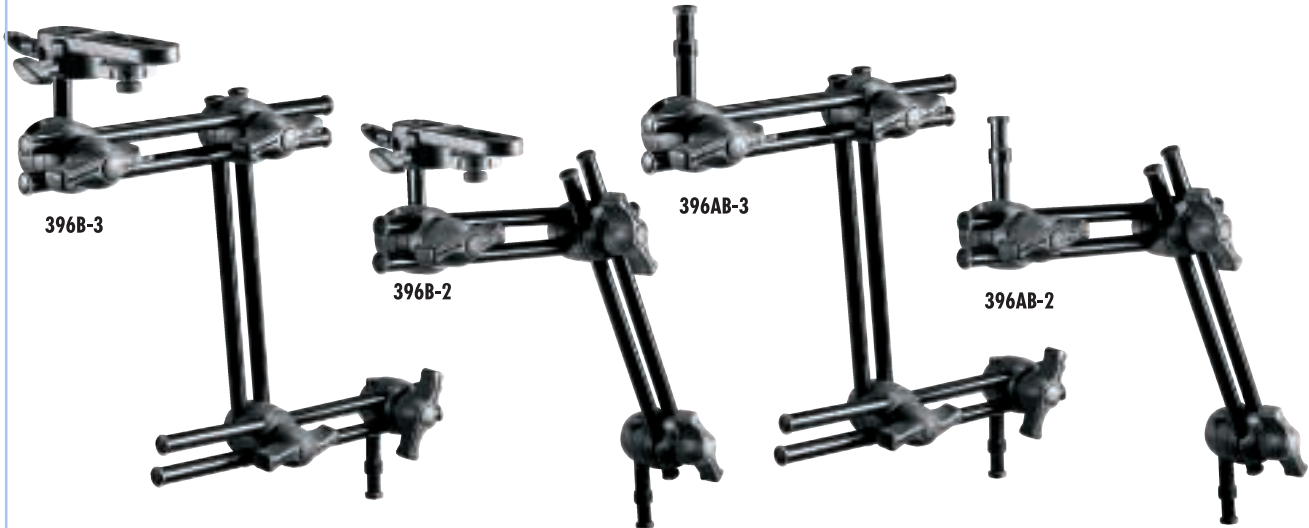


DOUBLE ARTICULATED ARMS: 2 & 3 SECTIONS

Excellent performance: robustness, lightness and versatility... these are the features of the new double articulated arm range. The 396 family has been developed to provide greater robustness than the 196 range and to support heavier loads (upto 5kg), though keeping versatility thanks to its extendable sliding arm system (extends upto 860mm), further enhanced by its quick lock system.

The new bottom attachment adds to the strength and versatility of the 396, with a spigot that combines both a hexagonal part (for anti-rotation fixing to the Superclamp system) and a universal adapter section (for fitting to a wide range of stands, clamps and accessories).

Code	Sections	Top attachment	Bottom attachment	Max length	Max load at full extensions	Weight
396AB-2	2	16mm spigot 3/8" light attachment	Double-anchored 16mm hexagonal/universal spigot	625 mm	5 kg	0.50 kg
396AB-3	3	16mm spigot 3/8" light attachment	Double-anchored 16mm hexagonal/universal spigot	860 mm	4.5 kg	0.79 kg
396B-2	2	camera bracket with 16mm spigot and camera attachment	Double-anchored 16mm hexagonal/universal spigot	625 mm	5 kg	0.64 kg
396B-3	3	camera bracket with 16mm spigot and camera attachment	Double-anchored 16mm hexagonal/universal spigot	860 mm	4.5 kg	0.90 kg



Sliding extensions allow for flexible positioning - Easy to use, even in reduced spaces.



Just turn knob to click-stop and arm position is immediately locked.



Double-anchored spigot with hexagonal (for Superclamp attachment) & universal (for maximum compatibility) sections. Gives extra strength and anti-rotation rigidity.

PRODANCE

Osadní 799/26, 170 00 Praha 7, tel. 220 806 054, fax 283 872 051, info@prodance.cz

Štefánikova 64, 612 00 Brno, tel. 541 240 240, fax 541 246 515, brno@prodance.cz

Gercenova 6, 851 01 Bratislava, tel. 02-635 30 500, fax 02-635 30 501, blava@prodance.cz