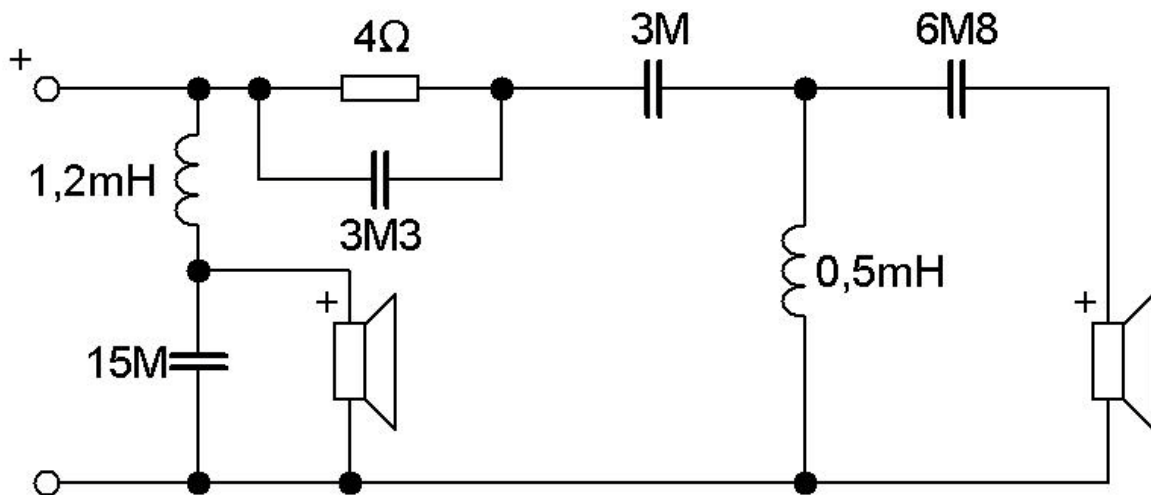


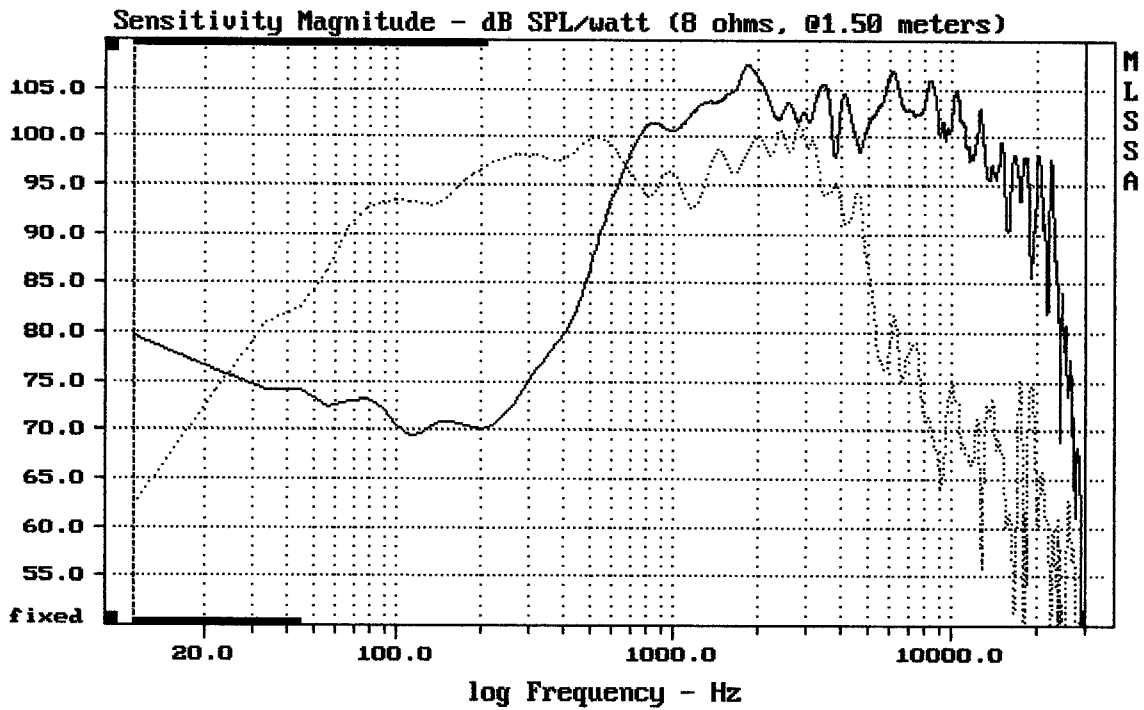
Sestava Fane DX15HE 4/ohm + Selenium D210Ti

Osazení:

- Fane DX15HE 4/ohm:
<http://eshop.prodance.cz/DetailPage.asp?DPG=84999>
- Selenium D210Ti

Schéma výhybky:

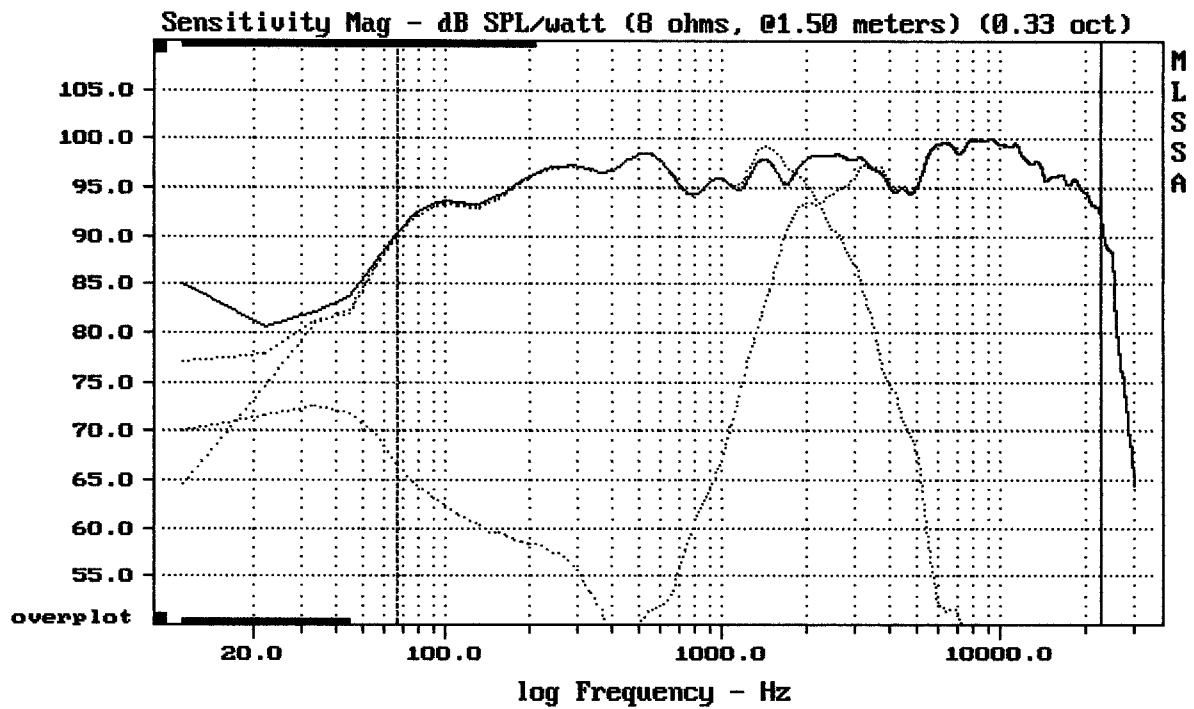




CURSOR: dy = -5.63362 x = 30007.1014 (2704)

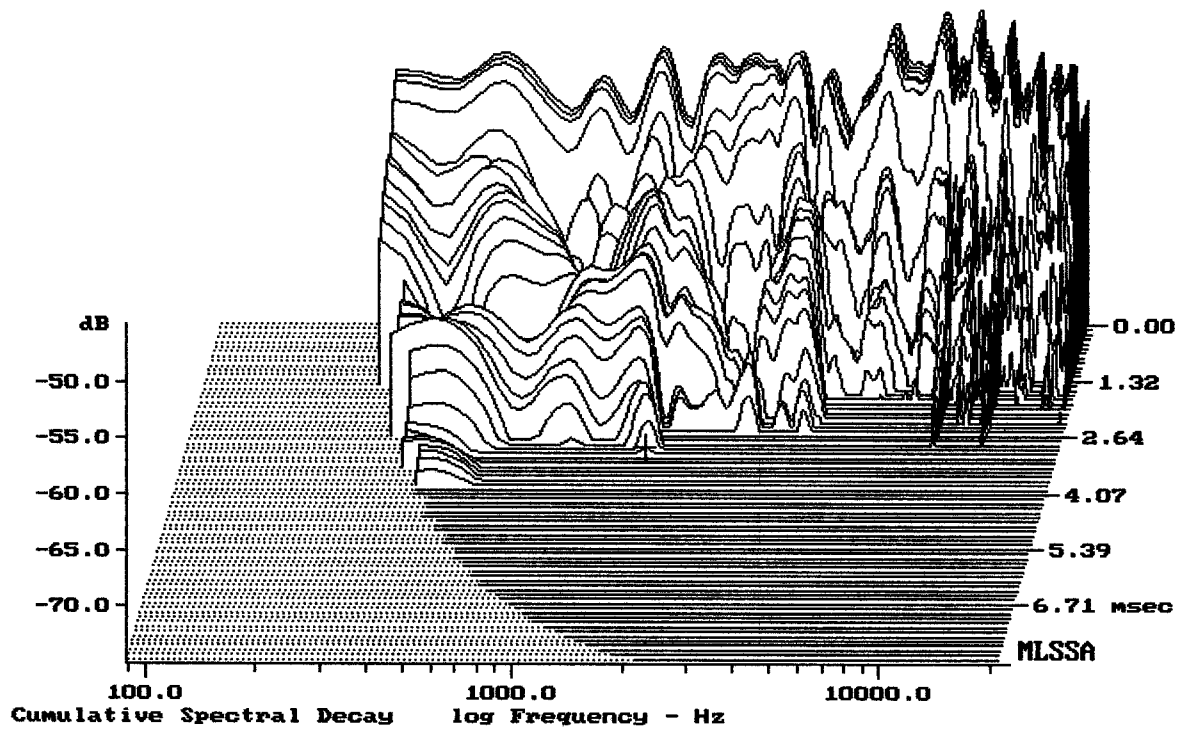
DX15HE + D210TI

MLSSA: Frequency Domain



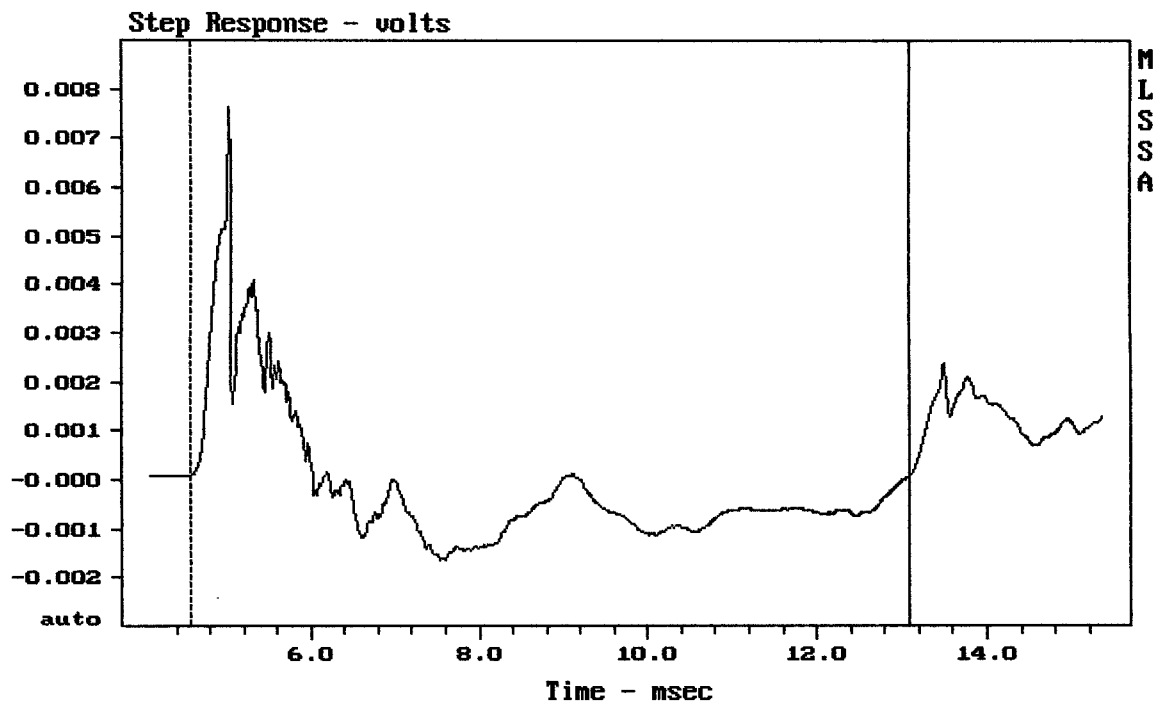
Level (67:23005 Hz) = 96.77 dB SPL/watt (8 ohms, @1.50 meters) (0.33 oct)

DX15HE + D210TI



-74.38 dB, 1598 Hz (36), 3.080 msec (29)

DTTO



mean: -0.0001678, rms: 0.001408, std: 0.001398, max: 0.007627, min: -0.001629

DX15HE + D210TI